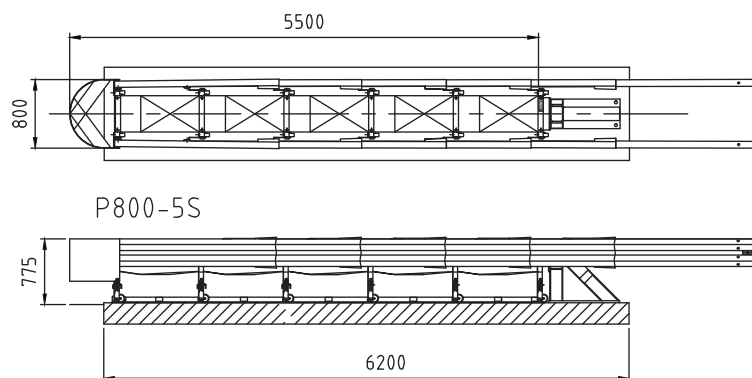


Crashguard P800-5S

D1 · Z1 · A



TECHNICAL SPECIFICATIONS

Max impact speed (km/h)	80
Redirection zone	Z1
Displacement class	D1
ASI	A
System width (m)	0.80
System length (m)	5.50
System shape	Parallel
Tested system foundation / installation	Concrete Steel